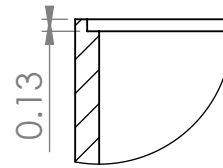
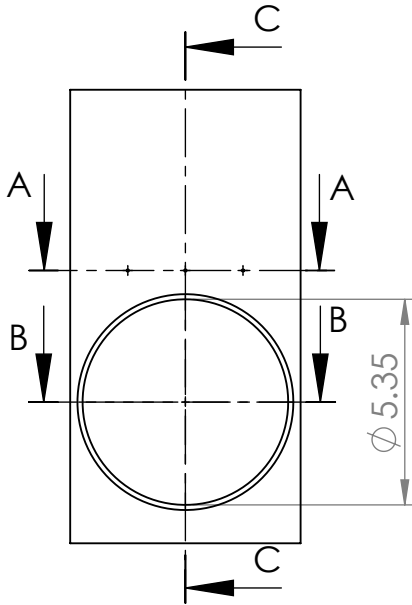


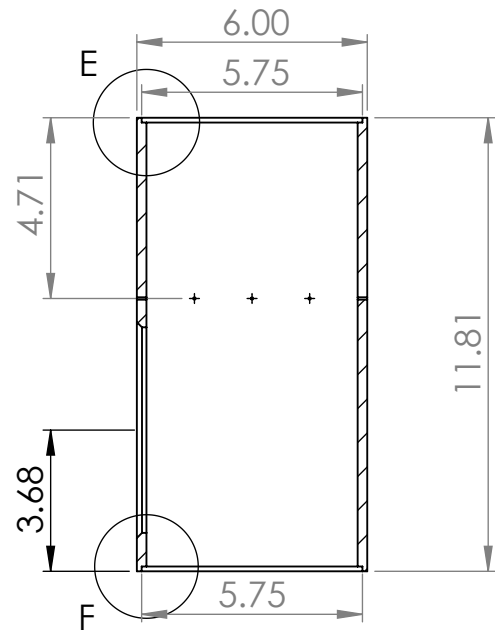
SECTION A-A



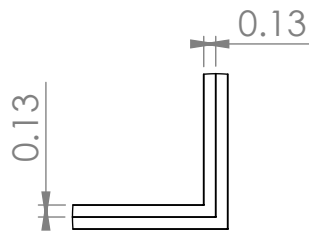
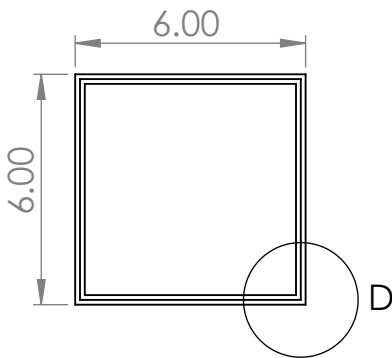
DETAIL E
SCALE 1 : 2



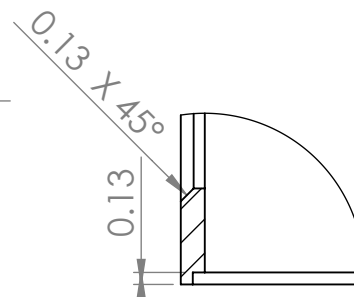
SECTION B-B



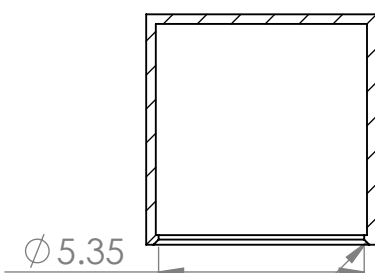
SECTION C-C



DETAIL D
SCALE 1 : 2



DETAIL F
SCALE 1 : 2



0.134 X 45°

Marco Carmignotto

Prototype - Kaon
Aerogel Detector

SIZE	DWG. NO.	Body	REV.
A			0