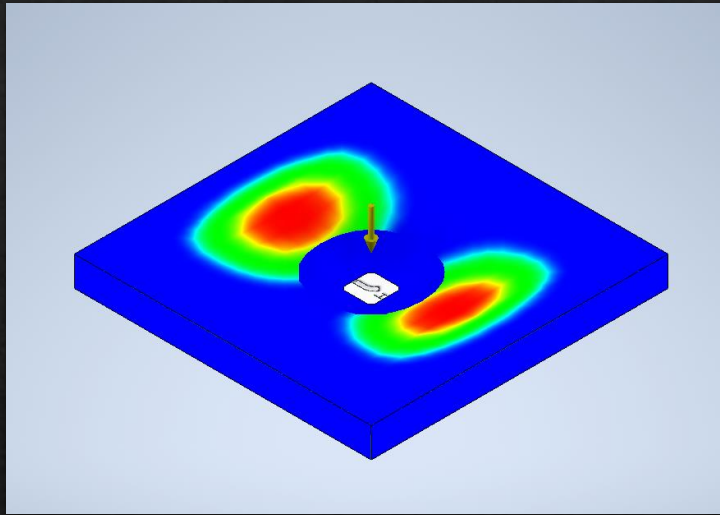


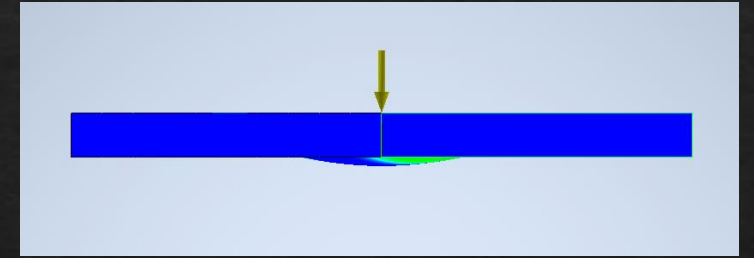
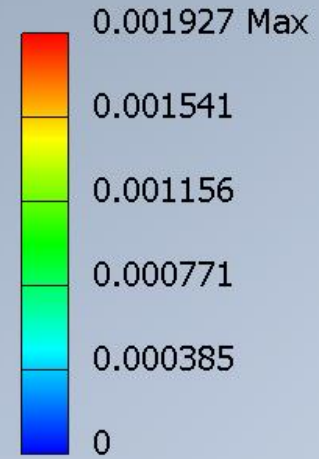


Project Update:
7/27/20

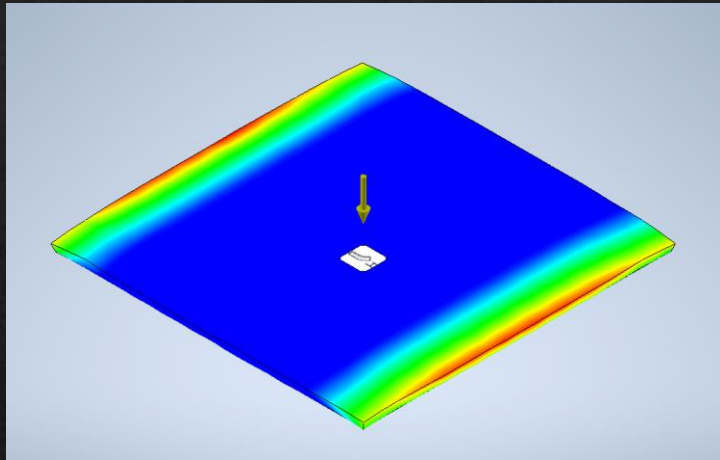
Sahnnee Shin



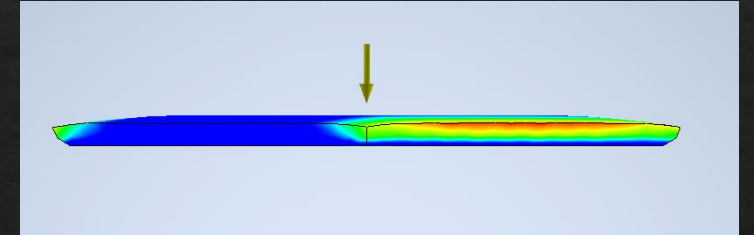
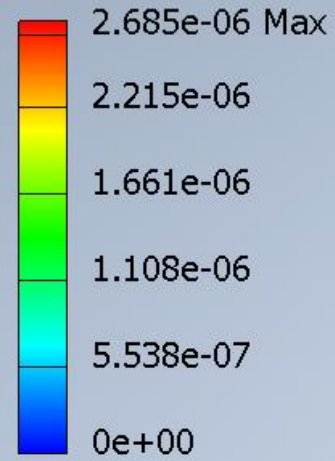
Type: X Displacement
Unit: in
7/24/2020, 11:14:21 AM



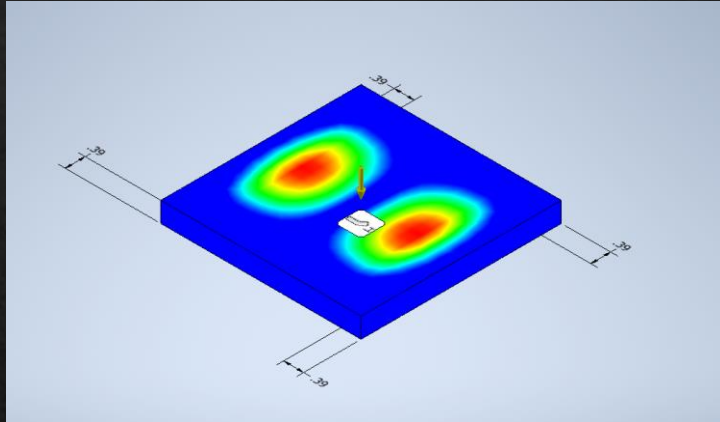
Aerogel: uniform



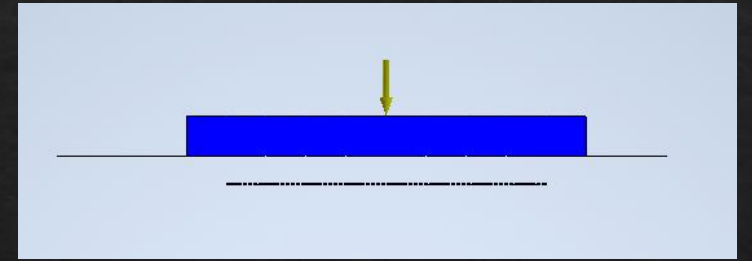
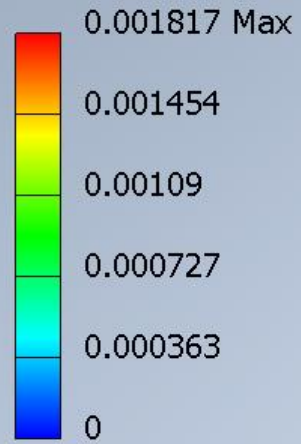
Type: X Displacement
Unit: in
7/23/2020, 12:37:36 PM



Middle: uniform: force (9.8) gravity



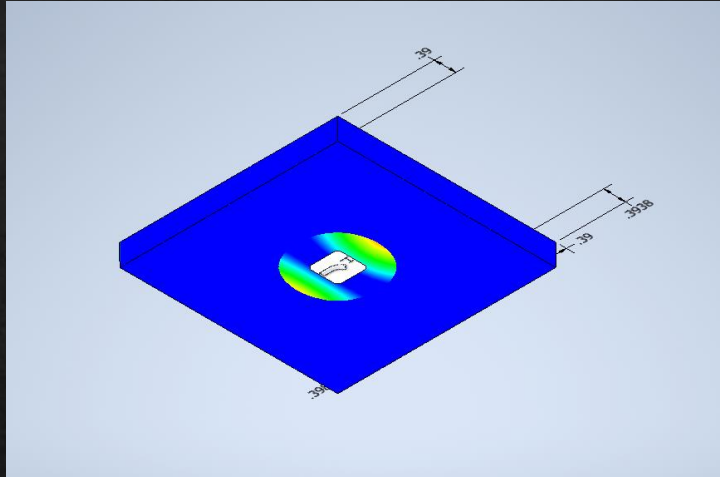
Type: X Displacement
Unit: in
7/23/2020, 3:42:12 PM



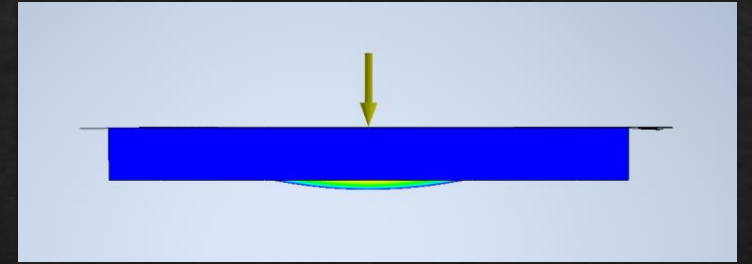
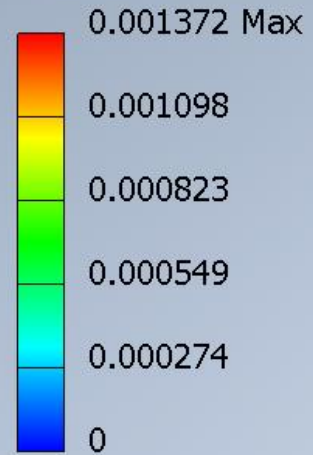
Bottom (below surface): uniform

Outlook

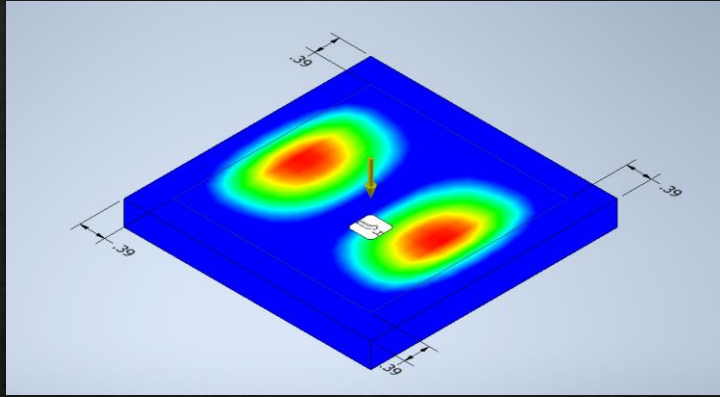
- ◇ More simulations for the stress analysis.
- ◇ Look at the processed results specifically to Kaon particles.
 - ◇ Calculating the beta values for kaon particles and plotting them accordingly.



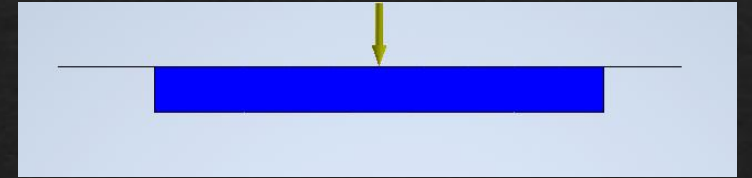
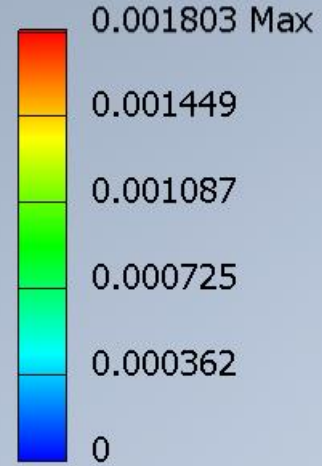
Type: X Displacement
Unit: in
7/23/2020, 1:57:07 PM



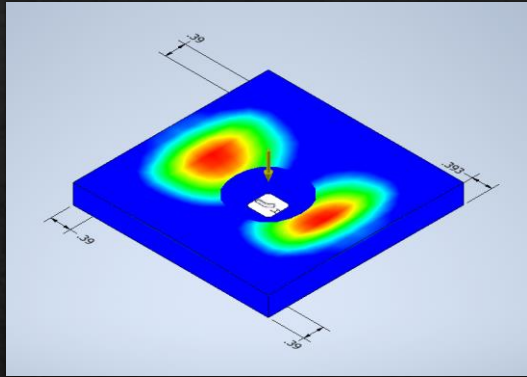
Top (above surface): uniform



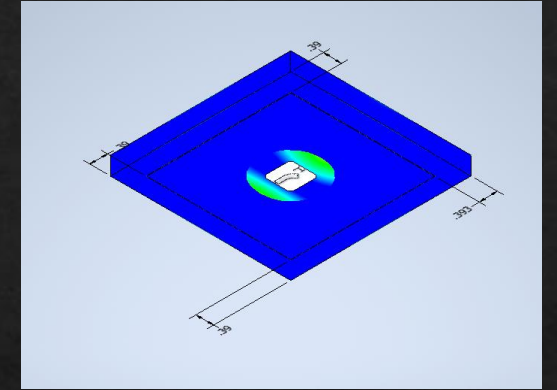
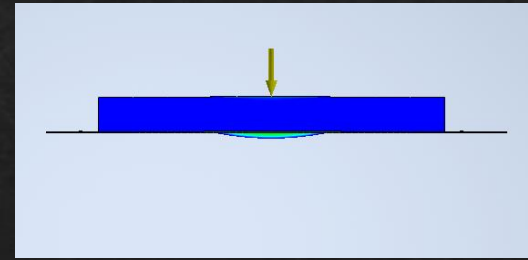
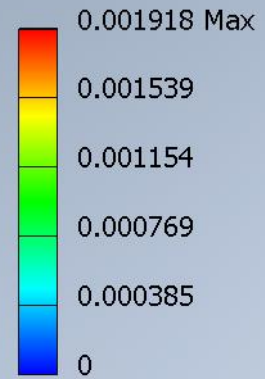
Type: X Displacement
Unit: in
7/23/2020, 2:02:24 PM



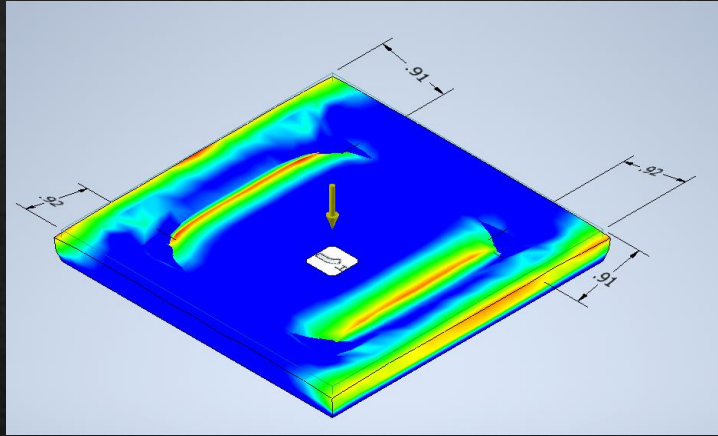
Top (below surface); uniform



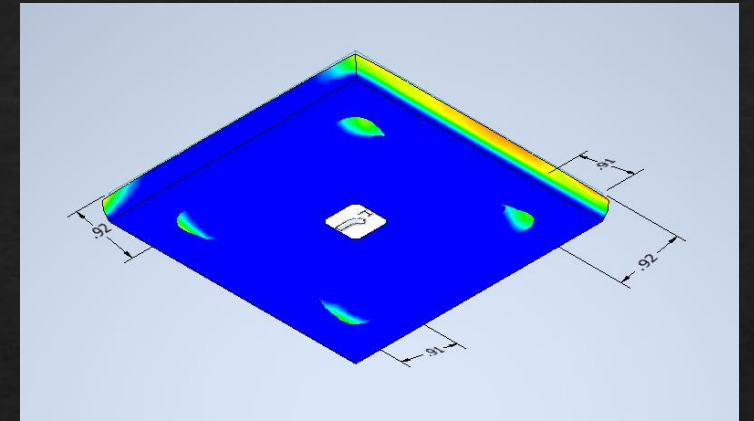
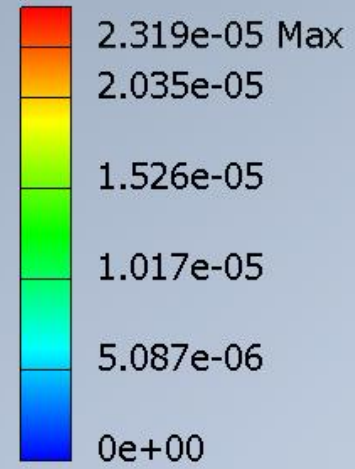
Type: X Displacement
Unit: in
7/23/2020, 2:39:22 PM



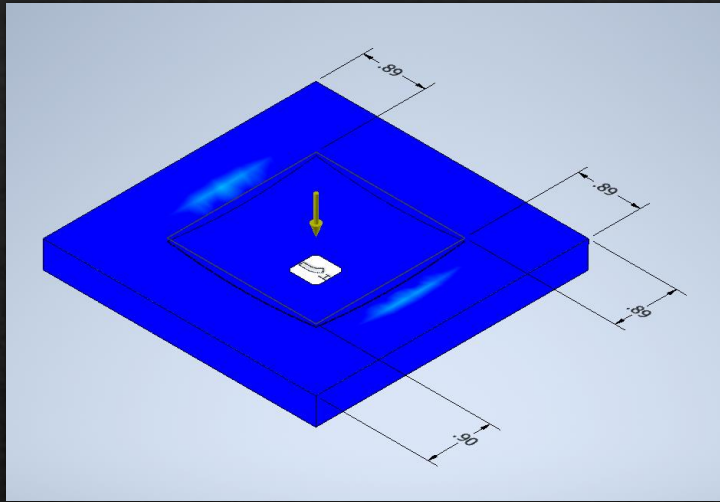
Bottom (above surface): uniform



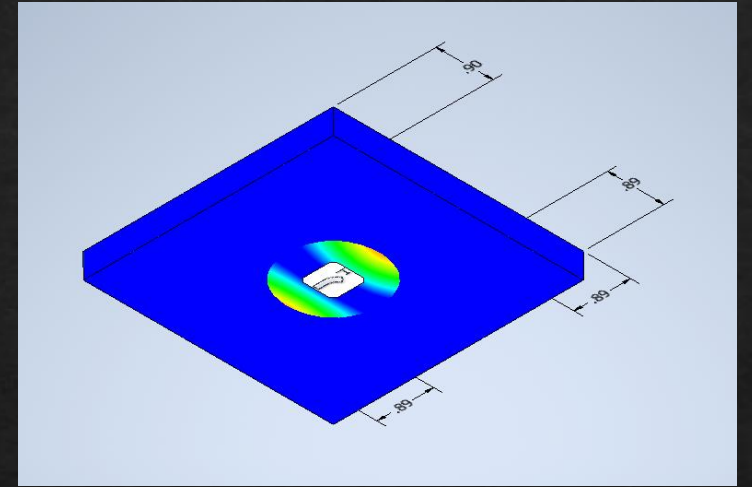
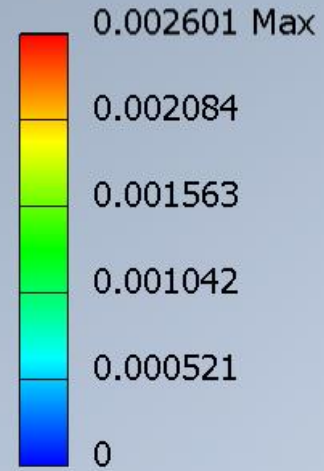
Type: X Displacement
Unit: in
7/24/2020, 1:33:52 PM



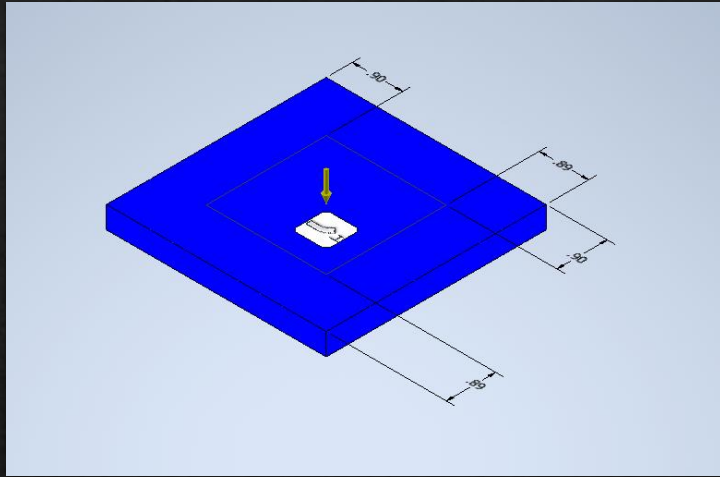
Middle 2.15 in fiberglass



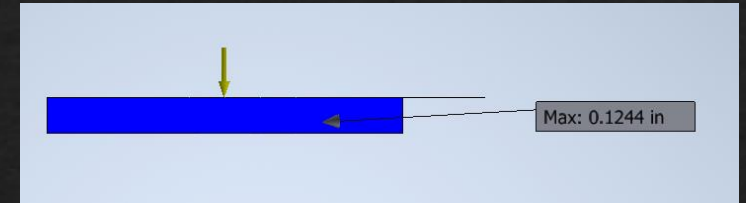
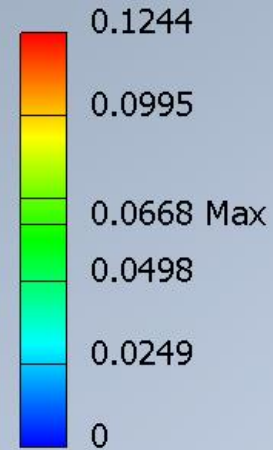
Type: X Displacement
Unit: in
7/24/2020, 2:02:21 PM



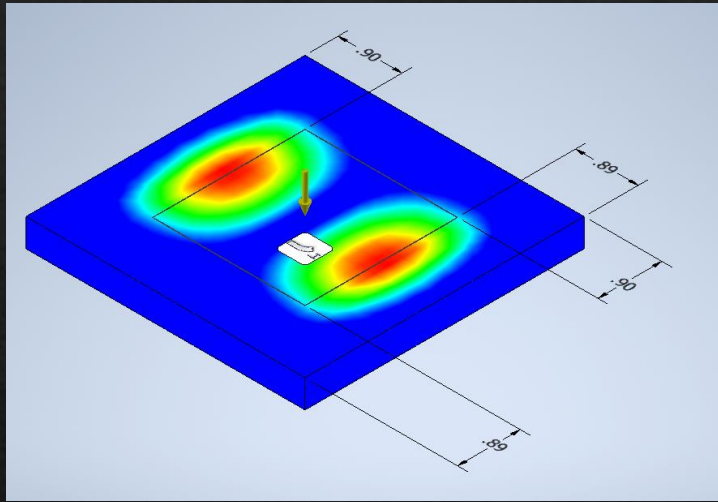
Top (above surface) 2.15 in fiberglass



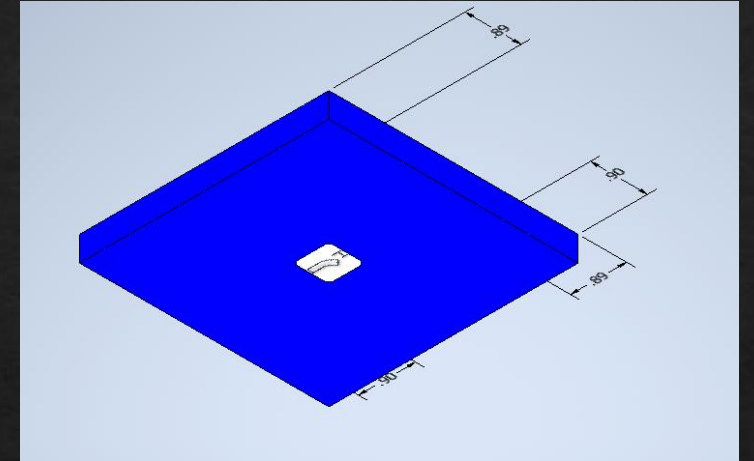
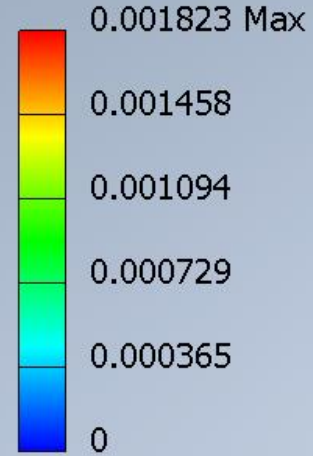
Type: X Displacement
Unit: in
7/24/2020, 3:16:49 PM



Top (below surface) 2.15 in fiberglass

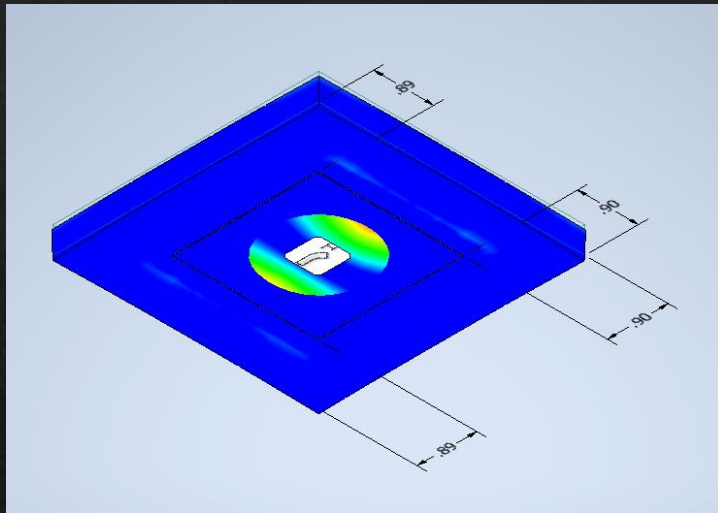


Type: X Displacement
Unit: in
7/24/2020, 3:21:38 PM

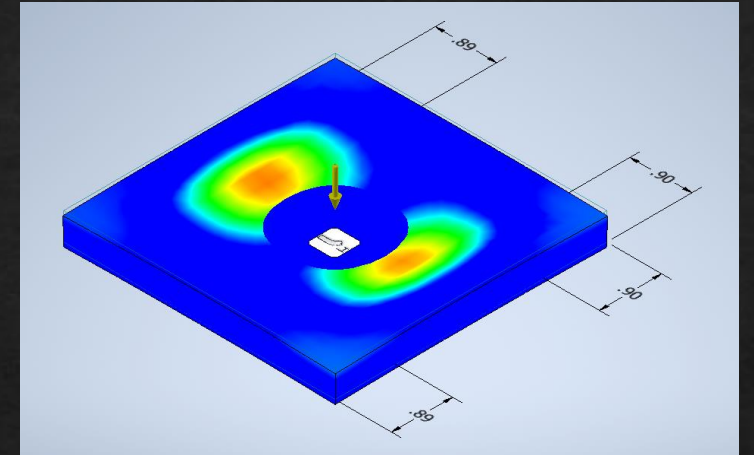
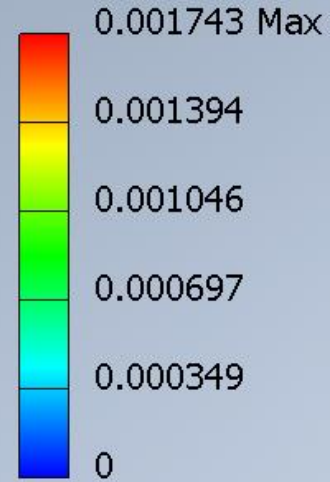


Top (below surface) 2.15 in fiberglass

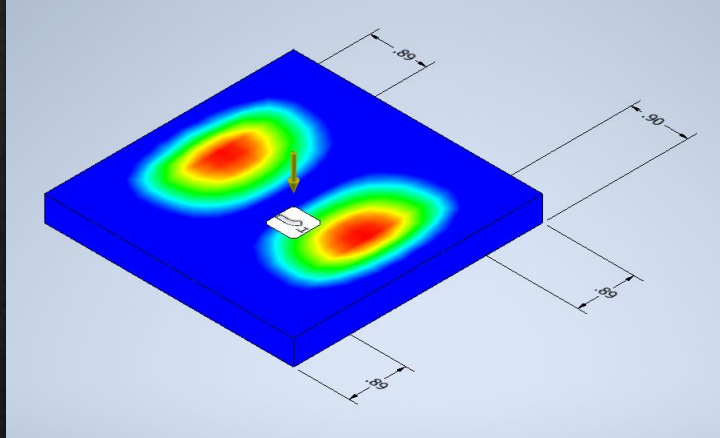
Force on fiberglass



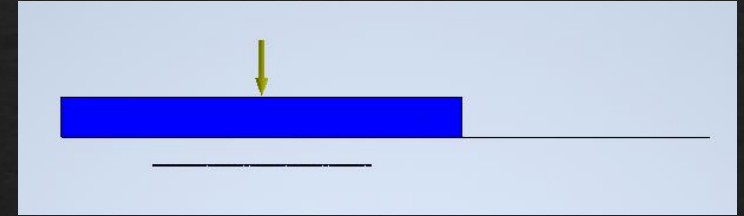
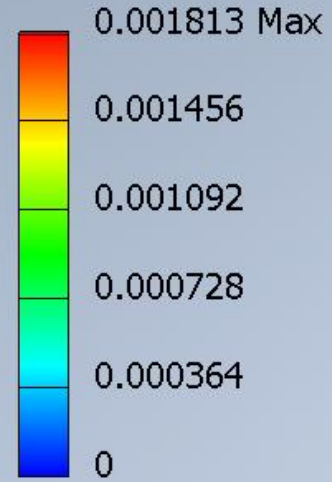
Type: X Displacement
Unit: in
7/24/2020, 3:36:08 PM



Bottom (above surface) 2.15 in fiberglass



Type: X Displacement
Unit: in
7/24/2020, 3:57:17 PM



Bottom (below surface): 2.15 fiberglass