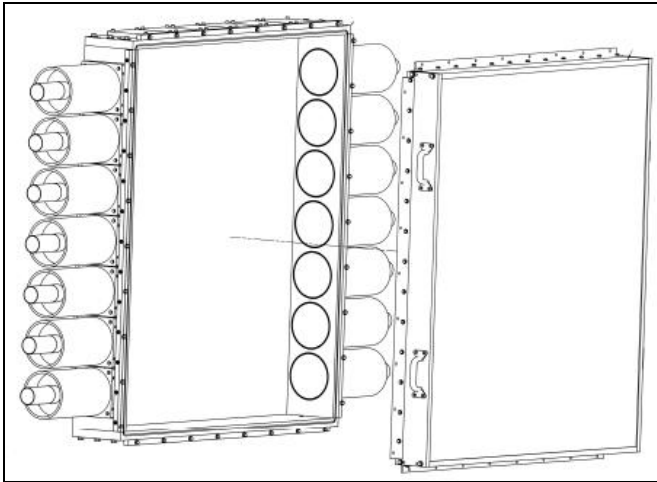


Our group Summer 2012

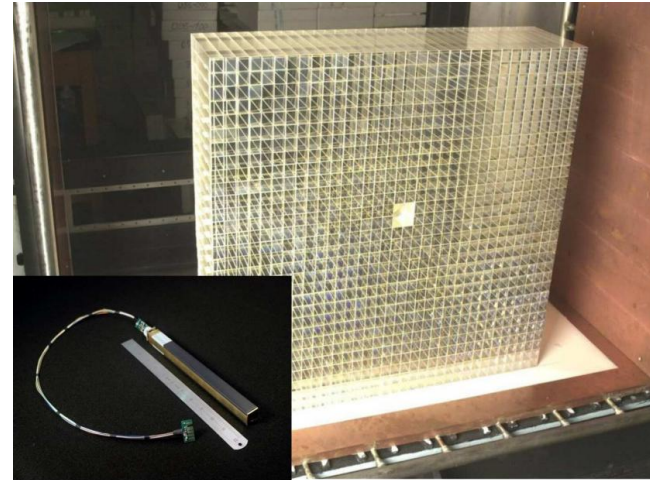
- **Postdoc:** Dr. Ibrahim Albayrak albayrak@jlab.org
- **Graduate students:** Marco Carmignotto 43pannunzioc@cardinalmail.cua.edu
 Julianna Denes-Couto coutojd@yahoo.com.br
 Bijay Nepal nepal_bijay@yahoo.com
- **Undergraduate students:**
 - Nathaniel Hlavin 98hlavin@cardinalmail.cua.edu
 - Laura Rothgeb soccmonkey@gmail.com
 - Lilian Anderson (USC) lcanders@usc.edu
- **Summer Interns:**
 - Daniel Rice (Trinity) drice1111@gmail.com
 - Gina Repole (Marshall) gmr@repole.com
 - Mike Wang (Marshall) mikeyboy3268@aol.com
- **Summer Visitors:**
 - Adam Battle (OSU) battle.66@buckeyemail.osu.edu

Two new detectors to be used in JLab Hall-C @ 12GeV

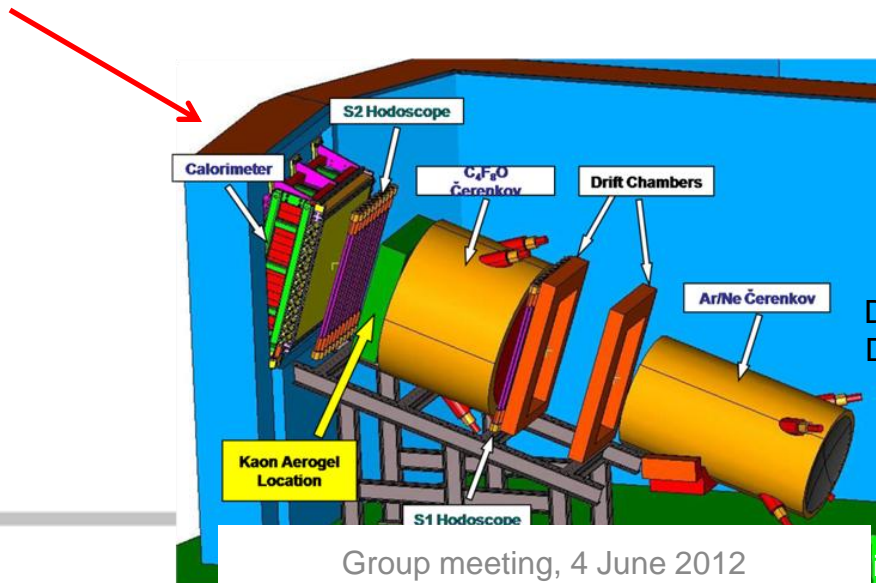
From Marco's CIPANP talk



Kaon Aerogel Cerenkov Detector



π^0 calorimeter



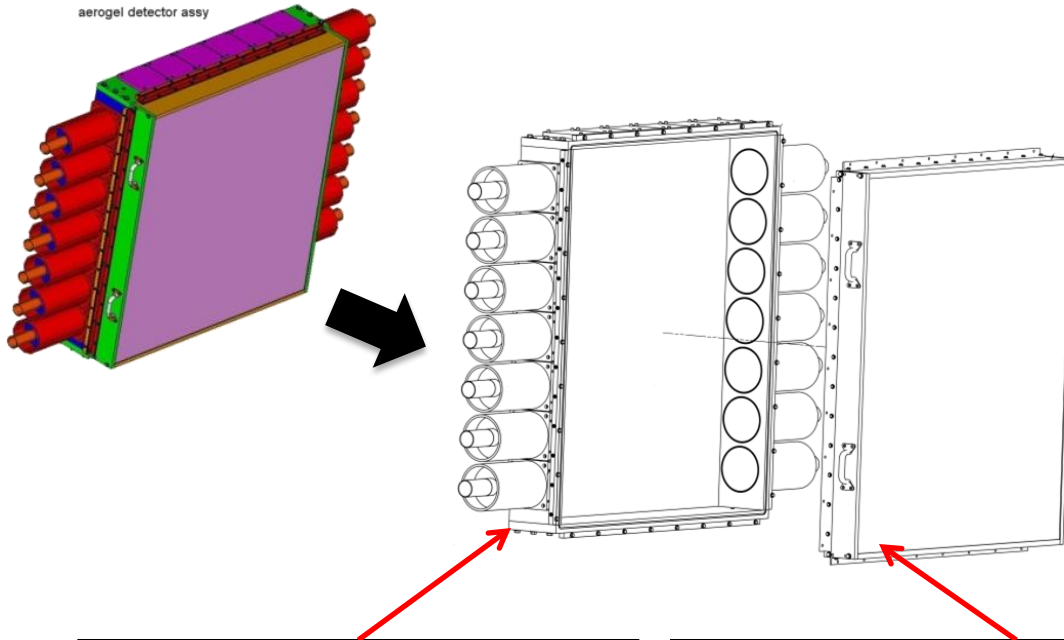
Detail of the Kaon Aerogel Cerenkov Detector inside the SHMS, in Hall C.

Group meeting, 4 June 2012

SHMS aerogel detector design

From Marco's CIPANP talk

aerogel detector assy



Diffusion box, covered with reflective material

Replaceable aerogel tray, with a ~10cm layer of aerogel

Kaon Aerogel Detector being machined at The Catholic University of America

MF-Millipore Membrane Filters

External dimensions of the detector box:

1.10 x 1.00 x 0.15 m³

Refractive index options:

$n = 1.03$

$n = 1.02$

$n = 1.010$ or 1.015

Some of our Projects this summer

- Characterization of large diameter PMTs
- Characterization of aerogel material
- Aerogel prototype
- Preparation of other tools, e.g., simulations
- Characterization of small-diameter PMTs for calorimeter, e.g., dark currents and rates
- Reports
- Other stuff

See table in NP lab for more details!



Other stuff

- Reports, abstracts, etc.
- Next trips to JLab: June 21-23 (Hall C meeting) – who will go?
- APS/DNP meeting (October 24-27), CEU applications due ??
- Gordon Research Conference (August 5-10)
- Questions/Suggestions?! 😊

